

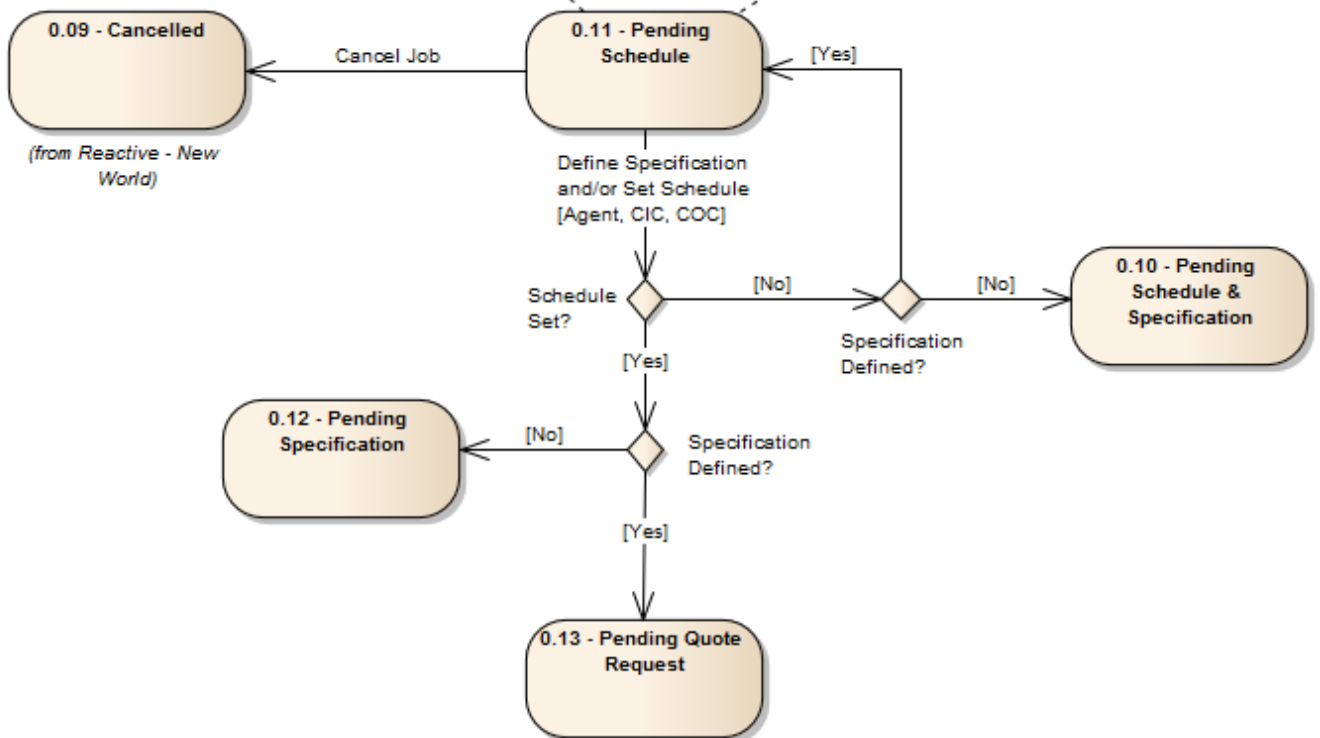
# 0.11 - Pending Schedule

Thu, Jan 18, 2024 Quote

Name: 0.11 - Pending Schedule  
Package: Quote Matrix  
Version: 1.0  
Author: Janet.Maidment

**Client Actions**  
Add Notes  
Caller Details  
No Answer (COC)  
Link Work Order  
Edit Work Order

**Agent Actions**  
Add Notes  
Link Work Order  
Remove Linked Work Order  
Edit Work Order  
Set Accrual to Zero  
Work Order Invoiced to Client  
Change:  
• Caller  
• Reason  
• Location  
• Mark Up  
• Capital Budget  
Add/Edit/View Document



Online URL: <https://ostarasystems.knowledgebase.co/article.php?id=447>